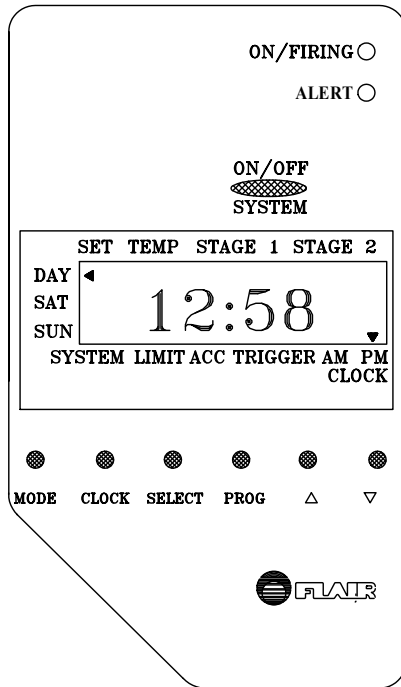
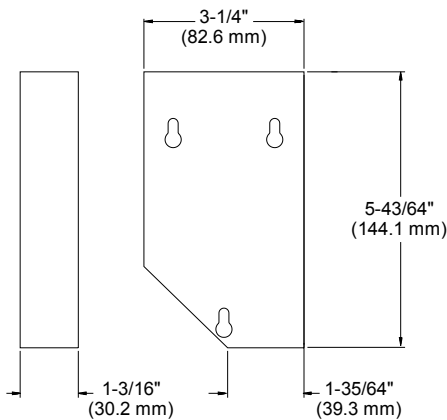


## ELECTRONIC PROGRAMMABLE MULTISTAGE CONTROLSTAT *series CSPM*

For programmed, timed control of two stage oil and gas fired and electric boilers, furnaces and water heaters.



### DIMENSIONS



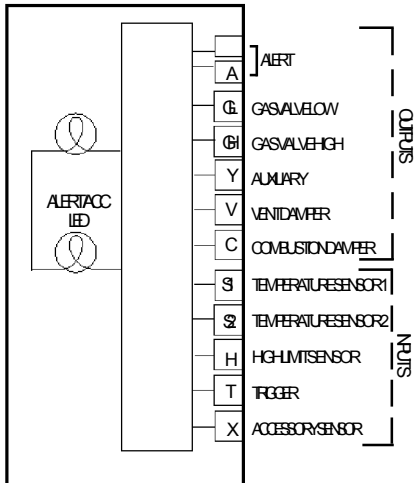
### BENEFITS & SPECIAL FEATURES

- Set and display system temperatures.
- Display temperatures in F° or C°.
- Control, monitor, and display high limit.
- Set minimum required temperature for auxiliary output.
- Select from or average two sensors.
- Trigger sensor may be set to jumpstart Stage 2.
- 4 daily programs for M-F, Sat. and Sun.
- Digital 12/24 hour real time clock.
- Five year lithium battery.
- Large, easy to read, LCD display.
- System status indicators.
- Constant and resettable hour meters for routine maintenance reminders.
- Efficiency measurement.
- Learned response feature adjusts for changing demands and response times.
- Manual on/off override.
- Program hold—overrides program for up to 365 days.
- Two stages of output determined by temperature differential from set point, temperature sensor used as a trigger or reaching stage set point.
- Accessory input can be attached to filter monitor, fuel sensor, or Flair Flame Quality Indicator (FQI) or other device.
- High and low limit alert and accessory inputs can be connected to external security system, signalling device or dialer.
- Vent/Flue and Combustion Dampers (oil and gas models only) interlocked to combustion circuit—opens prior to combustion.

### SPECIFICATIONS

Operating Voltage:	24, 115, 230, 440 vac (-15%, +10%, 50-60 Hz)
Temperature Differential:	approximately ±0.8°F (.4°C)
Sensor System:	Negative Temperature Coefficient (NTC)
Type:	Duct, Well or Surface mount
Quantity:	up to 3
Switches:	
Push-button:	MODE/CLOCK/SELECT/PROG/UP/DOWN
Push-button:	SYSTEM: ON/OFF
Indicator LED's:	ON (Steady Green) / FIRING (Flashing Green)
	ALERT (Flashing Red) / PRIOR ALERT (Steady Red)
Display:	LCD, 4 character, .5" (1.27 cm) height.
Alert function:	Triggers relay while either high or low limit is exceeded, or accessory input is activated.
Dimensions:	5 <sup>43</sup> / <sub>64</sub> x 3 <sup>1</sup> / <sub>4</sub> x 1 <sup>3</sup> / <sub>16</sub> Inches (144.1 x 82.6 x 30.2 mm)

# MODEL NUMBERS AND DESCRIPTIONS FOR VARIOUS APPLICATIONS



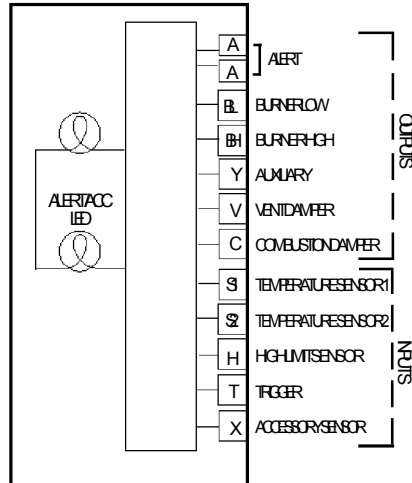
Model Number For:  
 Gas Boilers CSPMGB02  
 Gas Furnaces CSPMGF02

Temperature Range:  
 System: 100 °F - 210 °F  
 High limit: 180 °F - 220 °F  
 Auxiliary: 100 °F - 180 °F

Gas Water Heaters CSPMGW02

Temperature Range:  
 Operating range: 100 °F - 160 °F  
 High limit: 180 °F  
 Auxiliary: 100 °F - 140 °F

Switching Current at 24 VAC:  
 Gas valve: 1 A  
 Auxiliary: 10 A  
 Damper: 1 A  
 Weight: .4 lbs. (880 g)



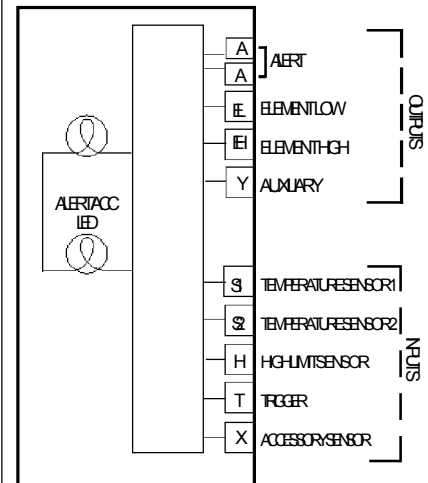
Model Number For:  
 Oil Boilers CSPMOB04  
 Oil Furnaces CSPMOF04

Temperature Range:  
 System: 100 °F - 210 °F  
 High limit: 180 °F - 220 °F  
 Auxiliary: 100 °F - 180 °F

Oil Water Heaters CSPMOW04

Temperature Range:  
 Operating range: 100 °F - 160 °F  
 High limit: 180 °F  
 Auxiliary: 100 °F - 140 °F

Switching Current at 120 VAC:  
 Burner: 10 A  
 Auxiliary: 10 A  
 Damper: 1 A  
 Weight: .4 lbs. (880 g)



Model Number For:  
 Electric Boilers CSPMEB04  
 Electric Furnaces CSPMEF04

Temperature Range:  
 System: 100 °F - 210 °F  
 High limit: 180 °F - 220 °F  
 Auxiliary: 100 °F - 180 °F  
 Diff between stages 10 °F - 30 °F

Electric Water Heaters 120VAC CSPMEW04

Temperature Range:  
 System: 100 °F - 160 °F  
 High limit: 180 °F  
 Auxiliary: 100 °F - 140 °F

Switching Current at 120 VAC:  
 Element Relay: 10A  
 Auxiliary: 10A  
 Weight: .4 lbs. (880 g)



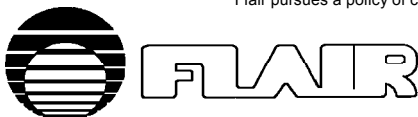
## ACCESSORIES

Temperature Sensor:	
Duct mount	TX101012
Immersion (well)	TX101031
Surface mount	TX101041
Auxiliary Relays	
SPST 24/24 VAC 10 amps	
SPST 24/120 VAC 10 amps	
SPST 120/120 VAC 10 amps	
Leak Sensor	TX107001
Transformers:	
40 VA	TR140100
20 VA	TR120100
Relay Transformers:	
20 VA (2) SPST 120 VAC relay	TR440200
20 VA (1) SPST 120 VAC relay	TR440300
40 VA (1) SPST 24 VAC relay &	
(1) SPST 120 VAC relay	TR440100

## REFERENCES

For More Information On:	See:
Other controllers for single-stage and proportional systems	This section
Zone Actuators	Star Actuator section
Zone Valves	Star Valve section
Wiring Panels	Control Panels section
Weather Compensation Controls	Weather Compensation Controls section
Flame Quality Indicator	FQI section
Warranty & pricing	Pricing and terms section

Flair pursues a policy of constant improvement. For this reason, all specifications are subject to change without notice.



FLAIR INTERNATIONAL CORPORATION

600 Old Willets Path • Hauppauge, New York 11788 • Tel: (516) 234-3600 • Fax: (516) 234-3610

CSPMP2